

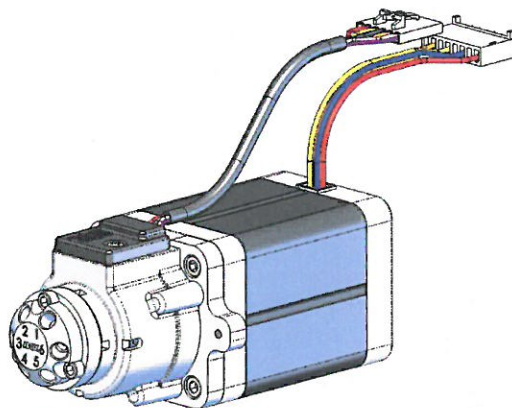
CV Series

CV721-100

2-Position, 6-Port, MBB

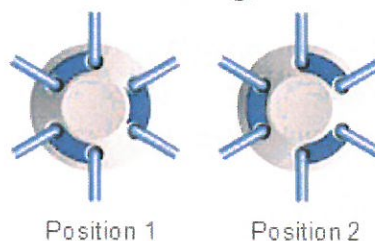
Description

The CV721-100 is a 2-position, 6-port valve with Make Before Break. This valve has a small compact footprint for easy integration into OEM instrumentation.



Flow Path

The flow switching pattern of the valve is shown below. The six dark circles represent the ports internal to the valve. The blue grooves represent the connecting passages in the rotor seal. The valve rotates 60° between positions one and two. Please note that this is a representation of the flow path and may not show the true position of the ports and grooves



Specifications

Liquid Contacts: SPC-3, RPC-17

Connections: accepts 10-32 male threaded fittings

Flow Passage Diameters: Stator: 0.20 mm (0.008"), Rotor Seal: 0.25 mm (0.010") per groove

Volume in Flow Passages: Stator: 0.08 μ L per hole, Rotor Seal: 0.06 μ L per groove

Port to Port Volume: 0.22 μ L, 0.23 μ L (via MBB groove)

Maximum Pressure: 1240 bar (18,000 psi, 124 MPa)

Position Sensors: Optoelectric position sensors with encoder wheels

Electrical: Consult factory

Maximum Initial Torque: 0.45 N-m (4.0 in-lbs.)

Dead Volume: Flow path is fully swept

Operating Temperature: 20°C

Operating Humidity: <95% humidity, non-condensing

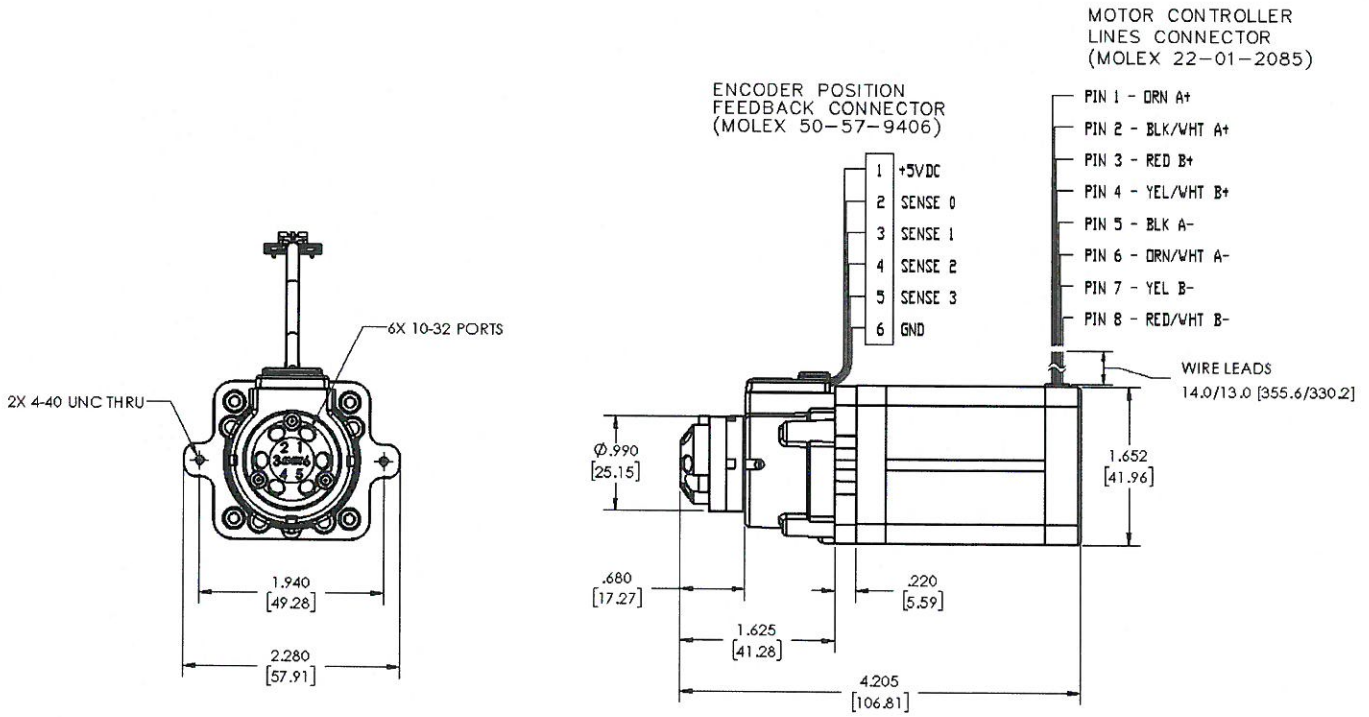
Shipping and Storage Temperature: -40°C- 80°C - Shipping, storing or operating this valve below 0°C with water in the fluid passages may cause failure of the sealing surfaces.

Preventative Maintenance Schedule: Determined by customer.

Regulatory Compliance Information: This product is RoHS compliant.

Dimensional Drawing

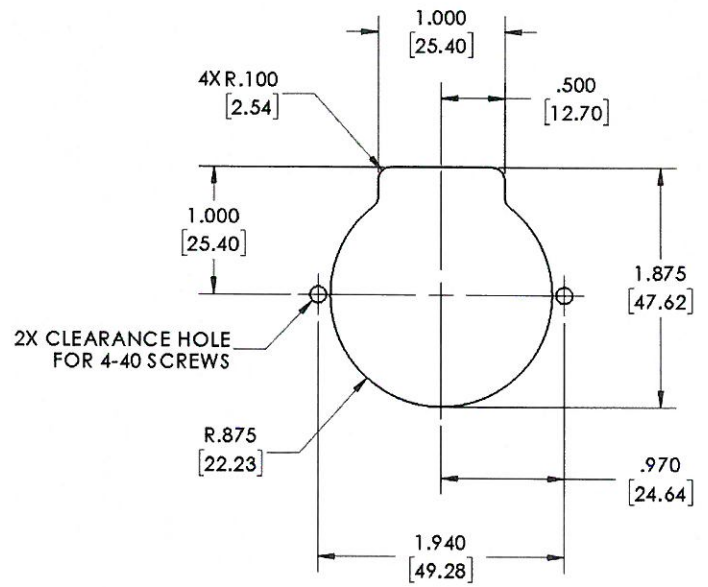
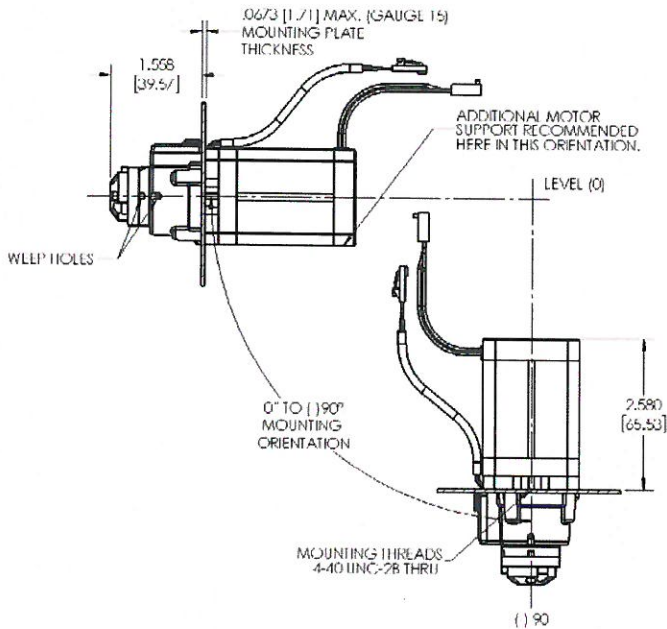
Dimensions are in inches [millimeters]



2322730A
02/02/2018

Dimensional Drawings (cont.)

Dimensions are in inches [millimeters]



2322730A
02/02/2018