

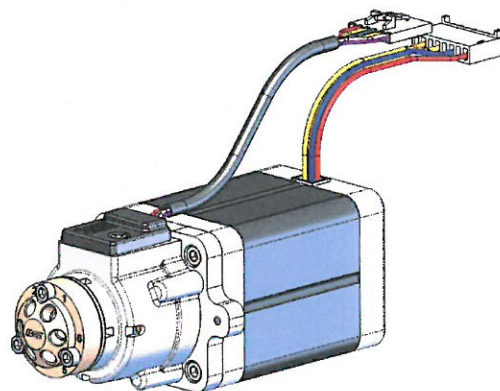
CV Series

CV900-100

2-Position, 6-Port PEEK

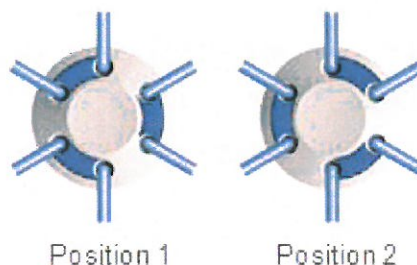
Description

The CV900-100 is a 2-position, 6-port PEEK valve. This valve has a small compact footprint for easy integration into OEM instrumentation.



Flow Path

The flow switching pattern of the valve is shown below. The six dark circles represent the ports internal to the valve. The blue grooves represent the connecting passages in the rotor seal. The valve rotates 60° between positions one and two. Please note that this is a representation of the flow path and may not show the true position of the ports and grooves.



Specifications

Liquid Contacts: PEEK, RPC-10

Connections: accepts 10-32 male threaded fittings

Flow Passage Diameters: Stator: 0.28 mm (0.011"), Stator Face Seal: 0.23 mm (0.009") per hole, Rotor Seal: 0.25 mm (0.01") per groove

Volume in Flow Passages: Stator: 0.16 μ L per hole, Rotor Seal: 0.06 μ L per groove

Port to Port Volume: 0.59 μ L

Maximum Pressure: 414 bar (6,000 psi, 41 MPa)

Position Sensors: Optoelectric position sensors with encoder wheels

Electrical: Consult factory

Maximum Initial Torque: TBD

Dead Volume: Flow path is fully swept

Operating Temperature: 20°C - 60°C

Operating Humidity: <95% humidity, non-condensing

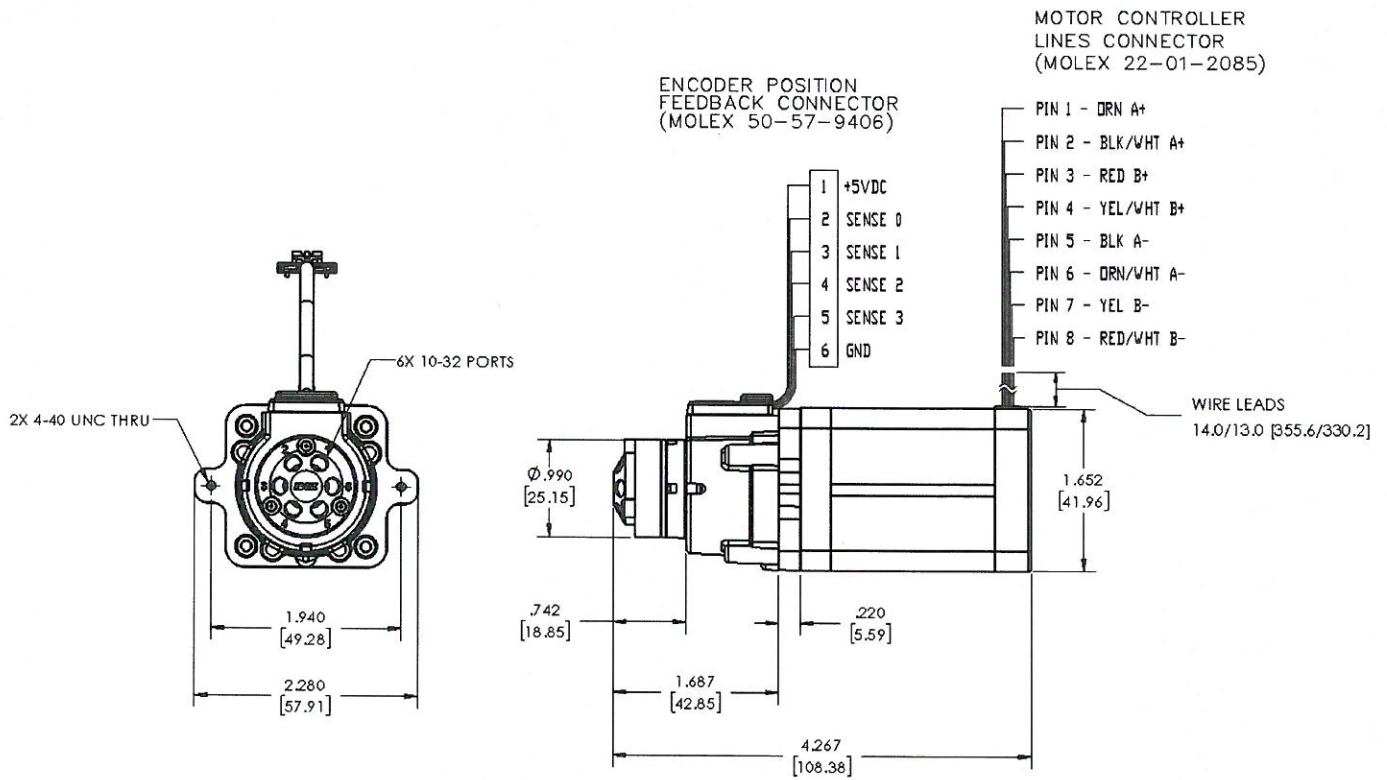
Shipping and Storage Temperature: -40°C- 80°C - Shipping, storing or operating this valve below 0°C with water in the fluid passages may cause failure of the sealing surfaces.

Preventative Maintenance Schedule: Determined by customer.

Regulatory Compliance Information: This product is RoHS compliant.

Dimensional Drawings

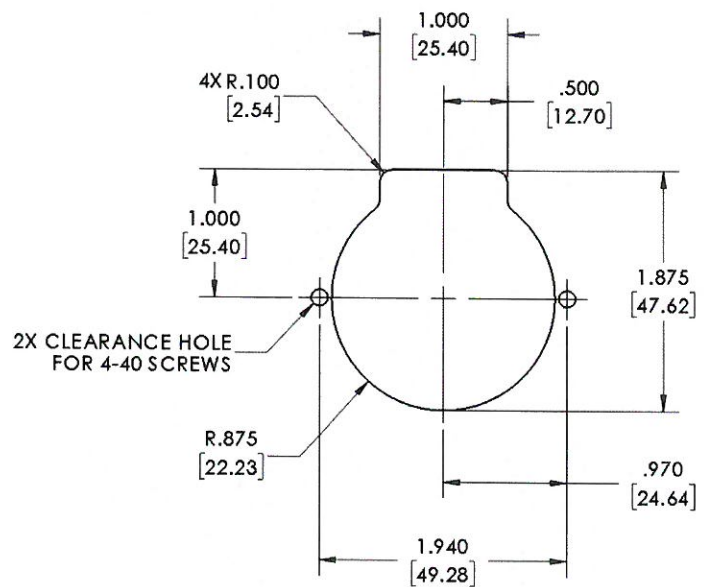
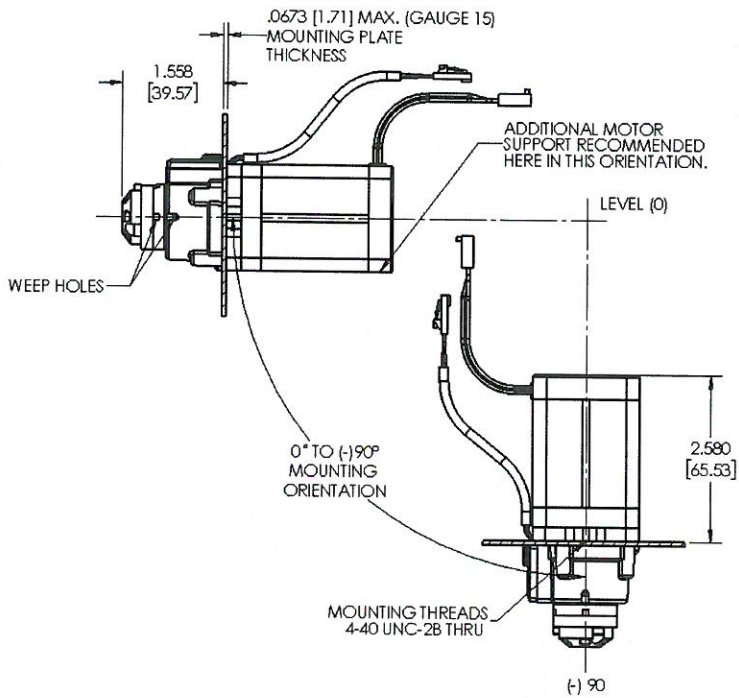
Dimensions are in inches [millimeters]



2322731A
02/02/2018

Dimensional Drawings

Dimensions are in inches [millimeters]



2322731A
02/02/2018