

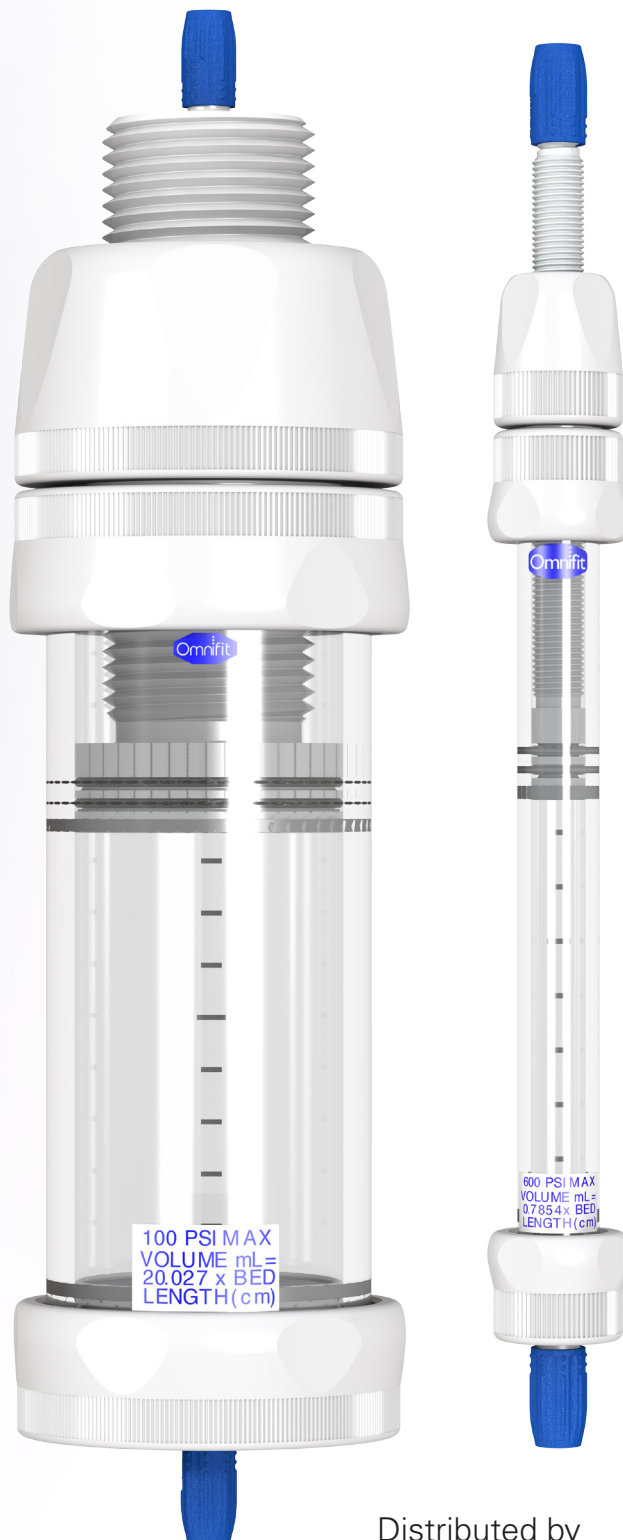


Omnifit® EZ Glass Columns for FPLC & LPLC

**New
and
Improved!**

Customers Love the New Design!

"The plunger and endpiece are much freer than the current design. That is a huge difference. We will absolutely keep using Omnifit columns."



Manufactured by



Distributed by



New & Improved Omnifit™ EZ Columns

We added features and benefits with the same reliability and results!

Users spoke, and we listened! After surveying thousands of lab technicians, we redesigned the industry leading Omnifit® glass chromatography columns for easier use and better performance.

We kept these features and benefits:

- Precision borosilicate glass for inertness, visibility and performance
- Fixed or adjustable end pieces of PTFE with dual o-rings for secure seal
- Superior frit placement for bed support and even distribution of sample flow
- Excellent price/performance value
- Great chromatography results

Customer Feedback

“We use Omnifit exclusively. They are easy to pack and we like that it’s made of glass for visibility.”

“Nice product, zero dead volume connections.”

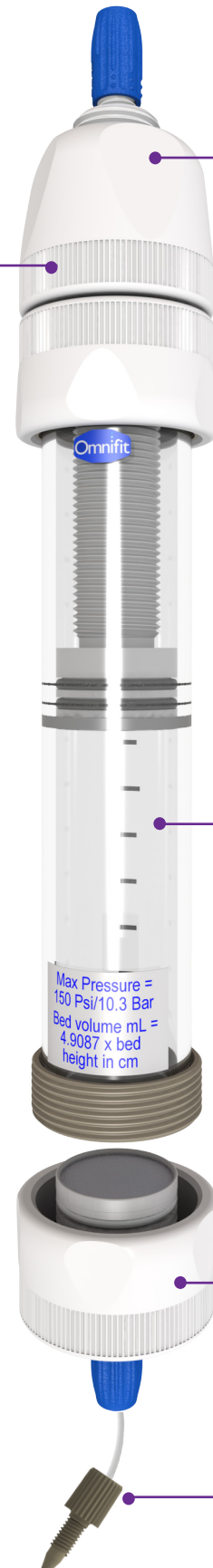
“We noticed the Omnifit columns give us increased yield.”

Plastics: ETFE = ethylene tetrafluoroethylene PP = polypropylene
PTFE = polytetrafluoroethylene PC = polycarbonate
PEEK™ = polyetheretherketone PCTFE = polychlorotrifluoroethylene

Trademarks: PEEK™ is a registered trademark of Victrex plc.
Omnifit® Labware, Omni-Lok™ are trademarks of Diba Industries Ltd.
Click-N-Seal® is a registered trademark of Diba Industries, Inc.

Improved ergonomics for simpler height adjustment

Improved anti-roll features



Additional sizes including 5mm ID and 33cm lengths

New column tube threads of PEEK™ won't chip and break

Redesigned endpieces for easier assembly

Click-N-Seal® fitting for 10-32 conical port connection

With the Same Reliability and Results

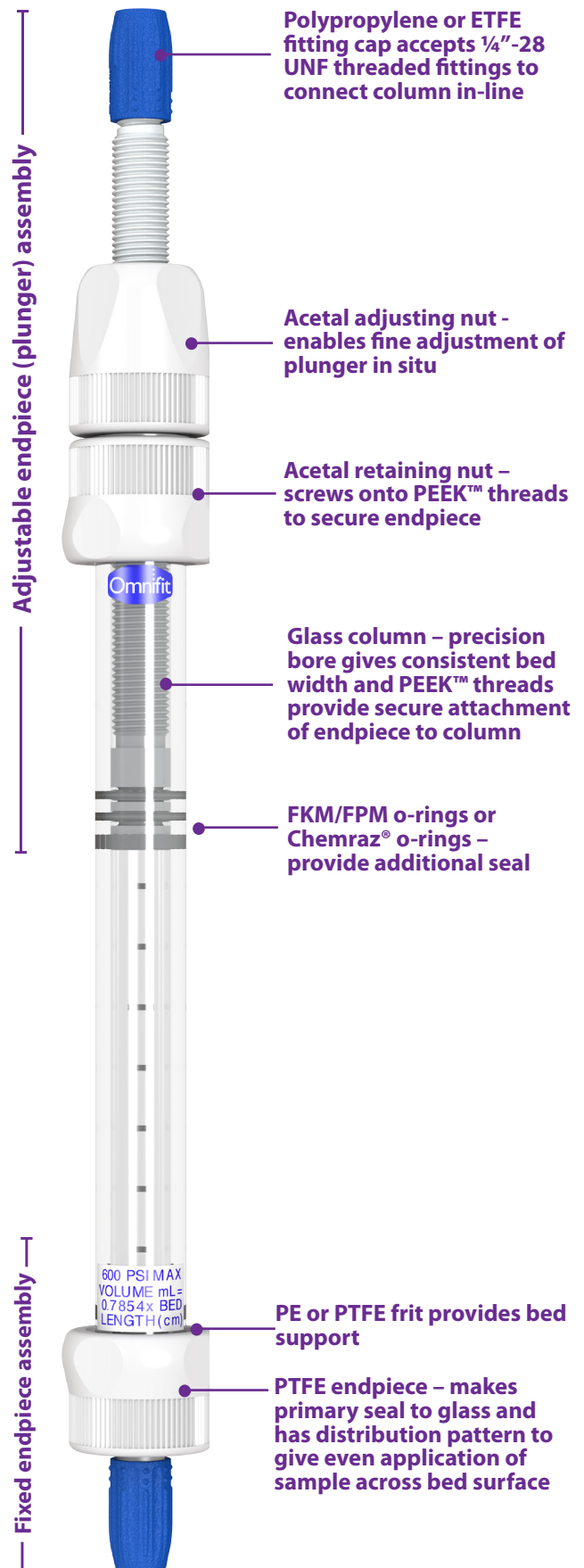
TECHNICAL SPECIFICATIONS

	EZ	EZ SOLVENTPLUS™
OPERATING PARAMETERS		
Operating temperature:	4-40° C	4-40° C
pH stability:	1-14	1-14
Chemical stability:	Resistant to aqueous solutions and most solvents used in liquid chromatography. Not resistant to acetone, ketones, chlorinated hydrocarbons, aliphatic ester, phenol, > 10% NaOH, >10% HCl, > 5% acetic acid, or strong mineral acid.	Resistant to aqueous solutions and most solvents used in standard and reverse phase chromatography including toluene, DMSO, pyridine, formamide, dimethyl formamide, ethylene dichloride, and chloroform.
MATERIALS		
Glass column:	Borosilicate glass	Borosilicate glass
Endpiece & plunger:	PTFE	PTFE
Threaded ends:	PEEK™	PEEK™
Frit (bed support):	PE	PTFE
O-ring:	FKM/FPM	Chemraz®
Adjusting nut:	Acetal	Acetal
Retaining nut:	Acetal	Acetal
Connection cap:	Glass-filled PP	ETFE
Fitting nuts:	Glass-filled PP	ETFE
OPERATING PRESSURES		
5.0mm:	1200 psi (80 bar)	1200 psi (80 bar)
6.6mm:	900 psi (60 bar)	900 psi (60 bar)
10mm:	600 psi (40 bar)	600 psi (40 bar)
15mm:	300 psi (20 bar)	300 psi (20 bar)
25mm:	150 psi (10 bar)	150 psi (10 bar)
35mm:	150 psi (10 bar)	150 psi (10 bar)
50mm:	100 psi (6.7 bar)	100 psi (6.7 bar)

Configurations

All Omnifit® Labware complete columns are supplied assembled and ready for use, with tubing and fittings to connect the column into an existing system. Three configurations are available:

- Non-adjustable with two fixed endpieces (-FF), a cost-effective option when height adjustment is not important.
- One fixed endpiece as a bed support and one adjustable endpiece (plunger) to adjust the bed height (-AF). The adjustable endpiece is designed to give the user fine control over the movement of the endpiece, minimizing the risk of disturbance to the packed bed and giving 80mm of height adjustment.
- Two adjustable endpieces (-AA) giving maximum flexibility in bed height. With an adjustable endpiece at both ends of the column, the user gains 160mm of adjustment, offering a wide range of bed lengths and volumes.



Omnifit® EZ Columns

EZ columns are designed to suit the majority of standard laboratory chromatography applications. They are ideal for aqueous systems and compatible with solvents used in common liquid chromatography applications such as protein purification.

- Economical modular columns for low pressure or gravity feed, providing even distribution of eluent to the medium bed, with or without flow adapters.
- Available in seven diameters and a variety of lengths.
- Compatible with a variety of bulk media.

Complete EZ columns include as standard:

Column assembly:

A ready-assembled column of -FF, -AF or -AA configuration, comprising a glass tube of the required dimensions and the two endpieces of your choice, pre-assembled with 25µm PE frits.

Frit Kit comprising:

- 2 x 30µm PTFE frits
- 2 x 10µm PTFE frits
- 2 x 10µm PE frits

Fittings Kit comprising:

- 2m x 1/16" OD PTFE tubing with 1/4-28 UNF fitting (PP) at one end
- 0.5m x 1/16" OD PTFE tubing with 1/4-28 UNF fitting (PP) at one end
- Click-N-Seal® 10-32 conical port fitting

ORDERING INFORMATION

COMPLETE EZ COLUMN WITH 2 X FIXED ENDPieces

LENGTH/BORE	5MM	6.6MM	10MM	15MM	25MM	35MM	50MM
50mm	006EZ-05-05-FF	006EZ-06-05-FF					
100mm	006EZ-05-10-FF	006EZ-06-10-FF	006EZ-10-10-FF	006EZ-15-10-FF	006EZ-25-10-FF		
150mm	006EZ-05-15-FF	006EZ-06-15-FF	006EZ-10-15-FF	006EZ-15-15-FF	006EZ-25-15-FF	006EZ-35-15-FF	
250mm	006EZ-05-25-FF	006EZ-06-25-FF	006EZ-10-25-FF	006EZ-15-25-FF	006EZ-25-25-FF	006EZ-35-25-FF	006EZ-50-25-FF
330mm	006EZ-05-33-FF	006EZ-06-33-FF	006EZ-10-33-FF	006EZ-15-33-FF	006EZ-25-33-FF	006EZ-35-33-FF	006EZ-50-33-FF
400mm	006EZ-05-40-FF	006EZ-06-40-FF	006EZ-10-40-FF	006EZ-15-40-FF	006EZ-25-40-FF	006EZ-35-40-FF	006EZ-50-40-FF
500mm			006EZ-10-50-FF	006EZ-15-50-FF	006EZ-25-50-FF		006EZ-50-50-FF

COMPLETE EZ COLUMN WITH 1 X ADJUSTABLE & 1 X FIXED ENDPiece

50mm	006EZ-05-05-AF	006EZ-06-05-AF					
100mm	006EZ-05-10-AF	006EZ-06-10-AF	006EZ-10-10-AF	006EZ-15-10-AF	006EZ-25-10-AF		
150mm	006EZ-05-15-AF	006EZ-06-15-AF	006EZ-10-15-AF	006EZ-15-15-AF	006EZ-25-15-AF	006EZ-35-15-AF	
250mm	006EZ-05-25-AF	006EZ-06-25-AF	006EZ-10-25-AF	006EZ-15-25-AF	006EZ-25-25-AF	006EZ-35-25-AF	006EZ-50-25-AF
330mm	006EZ-05-33-AF	006EZ-06-33-AF	006EZ-10-33-AF	006EZ-15-33-AF	006EZ-25-33-AF	006EZ-35-33-AF	006EZ-50-33-AF
400mm	006EZ-05-40-AF	006EZ-06-40-AF	006EZ-10-40-AF	006EZ-15-40-AF	006EZ-25-40-AF	006EZ-35-40-AF	006EZ-50-40-AF
500mm			006EZ-10-50-AF	006EZ-15-50-AF	006EZ-25-50-AF		006EZ-50-50-AF

COMPLETE EZ COLUMN WITH 2 X ADJUSTABLE ENDPieces

50mm	006EZ-05-05-AA	006EZ-06-05-AA					
100mm	006EZ-05-10-AA	006EZ-06-10-AA	006EZ-10-10-AA	006EZ-15-10-AA	006EZ-25-10-AA		
150mm	006EZ-05-15-AA	006EZ-06-15-AA	006EZ-10-15-AA	006EZ-15-15-AA	006EZ-25-15-AA		
250mm	006EZ-05-25-AA	006EZ-06-25-AA	006EZ-10-25-AA	006EZ-15-25-AA	006EZ-25-25-AA	006EZ-35-25-AA	006EZ-50-25-AA
330mm	006EZ-05-33-AA	006EZ-06-33-AA	006EZ-10-33-AA	006EZ-15-33-AA	006EZ-25-33-AA	006EZ-35-33-AA	006EZ-50-33-AA
400mm	006EZ-05-40-AA	006EZ-06-40-AA	006EZ-10-40-AA	006EZ-15-40-AA	006EZ-25-40-AA	006EZ-35-40-AA	006EZ-50-40-AA
500mm			006EZ-10-50-AA	006EZ-15-50-AA	006EZ-25-50-AA		006EZ-50-50-AA

Omnifit® EZ SolventPlus™ Columns

EZ SolventPlus™ columns are designed for maximum chemical compatibility. Borosilicate glass and PTFE construction, with Chemraz® o-rings and PTFE frits, only the most inert materials are present in the fluid path. ETFE end caps and fitting nuts ensure a chemically inert connection into and out of the system.

- Designed for techniques using organic solvents such as reversed phase chromatography, but equally compatible with aqueous solvent systems.
- Available in six diameters and a variety of lengths.

Complete EZ SolventPlus™ columns include as standard:

Column assembly:

A ready-assembled column of -FF, -AF or -AA configuration, comprising a glass tube of the required dimensions and the two endpieces of your choice pre-assembled with 30µm PTFE frits.

Frit Kit comprising:

- 2 x 30µm PTFE frits
- 2 x 10µm PTFE frits
- 2 x 10µm PE frits

Fittings Kit comprising:

- 2m x 1/16" OD PTFE tubing; 1/4-28 UNF fitting (ETFE) at one end
- 0.5m x 1/16" OD PTFE tubing; 1/4-28 UNF fitting (ETFE) at one end
- Click-N-Seal® 10-32 conical port fitting

ORDERING INFORMATION

COMPLETE EZ SOLVENTPLUS™ COLUMN WITH 2 X FIXED ENDPieces

LENGTH/BORE	6.6MM	10MM	15MM	25MM	35MM	50MM
50mm	006Ezs-06-05-FF					
100mm	006Ezs-06-10-FF	006Ezs-10-10-FF	006Ezs-15-10-FF	006Ezs-25-10-FF		
150mm	006Ezs-06-15-FF	006Ezs-10-15-FF	006Ezs-15-15-FF	006Ezs-25-15-FF	006Ezs-35-15-FF	
250mm	006Ezs-06-25-FF	006Ezs-10-25-FF	006Ezs-15-25-FF	006Ezs-25-25-FF	006Ezs-35-25-FF	006Ezs-50-25-FF
330mm	006Ezs-06-33-FF	006Ezs-10-33-FF	006Ezs-15-33-FF	006Ezs-25-33-FF	006Ezs-35-33-FF	006Ezs-50-33-FF
400mm	006Ezs-06-40-FF	006Ezs-10-40-FF	006Ezs-15-40-FF	006Ezs-25-40-FF	006Ezs-35-40-FF	006Ezs-50-40-FF
500mm		006Ezs-10-50-FF	006Ezs-15-50-FF	006Ezs-25-50-FF		006Ezs-50-50-FF

COMPLETE EZ SOLVENTPLUS™ COLUMN WITH 1 X ADJUSTABLE & 1 X FIXED ENDPiece

50mm	006Ezs-06-05-AF					
100mm	006Ezs-06-10-AF	006Ezs-10-10-AF	006Ezs-15-10-AF	006Ezs-25-10-AF		
150mm	006Ezs-06-15-AF	006Ezs-10-15-AF	006Ezs-15-15-AF	006Ezs-25-15-AF	006Ezs-35-15-AF	
250mm	006Ezs-06-25-AF	006Ezs-10-25-AF	006Ezs-15-25-AF	006Ezs-25-25-AF	006Ezs-35-25-AF	006Ezs-50-25-AF
330mm	006Ezs-06-33-AF	006Ezs-10-33-AF	006Ezs-15-33-AF	006Ezs-25-33-AF	006Ezs-35-33-AF	006Ezs-50-33-AF
400mm	006Ezs-06-40-AF	006Ezs-10-40-AF	006Ezs-15-40-AF	006Ezs-25-40-AF	006Ezs-35-40-AF	006Ezs-50-40-AF
500mm		006Ezs-10-50-AF	006Ezs-15-50-AF	006Ezs-25-50-AF		006Ezs-50-50-AF

COMPLETE EZ SOLVENTPLUS™ COLUMN WITH 2 X ADJUSTABLE ENDPieces

50mm	006Ezs-06-05-AA					
100mm	006Ezs-06-10-AA	006Ezs-10-10-AA	006Ezs-15-10-AA	006Ezs-25-10-AA		
150mm	006Ezs-06-15-AA	006Ezs-10-15-AA	006Ezs-15-15-AA	006Ezs-25-15-AA	006Ezs-35-15-AA	
250mm	006Ezs-06-25-AA	006Ezs-10-25-AA	006Ezs-15-25-AA	006Ezs-25-25-AA	006Ezs-35-25-AA	006Ezs-50-25-AA
330mm	006Ezs-06-33-AA	006Ezs-10-33-AA	006Ezs-15-33-AA	006Ezs-25-33-AA	006Ezs-35-33-AA	006Ezs-50-33-AA
400mm	006Ezs-06-40-AA	006Ezs-10-40-AA	006Ezs-15-40-AA	006Ezs-25-40-AA	006Ezs-35-40-AA	006Ezs-50-40-AA
500mm		006Ezs-10-50-AA	006Ezs-15-50-AA	006Ezs-25-50-AA		006Ezs-50-50-AA



Omnifit® EZ Columns Replacement Parts

All Omnifit® EZ glass chromatography column components are available to buy separately giving the user complete flexibility to replace lost or worn parts, or to utilize columns across a number of applications. This modular approach gives Omnifit® EZ columns an extremely long life and great flexibility in use.

The glass tubes, frits, o-rings and accessories listed below are compatible with the EZ and EZ SolventPlus™ columns. Simply locate the column size you require to identify the correct part numbers for ordering.

Replacement glass columns are available in a wide range of bore sizes and lengths. This not only enables you to replace a column should breakage occur, but allows you to obtain several different length columns to use with endpieces you already have for that bore size. The modular nature of our column ranges means that for the ultimate flexibility you can mix and match column sizes with different endpiece types to your specific requirements.

Replacement frits are available in a range of porosities and in PTFE or PE, enabling you to select the most appropriate bed support for your media and chemistries. Choose the column bore you are using and select the porosity and material combination from the left-hand column.

ORDERING INFORMATION

REPLACEMENT GLASS FOR EZ & EZ SOLVENTPLUS™ COLUMNS

LENGTH/BORE	5MM	6.6MM	10MM	15MM	25MM	35MM	50MM
50mm	006ERG-05-05	006ERG-06-05					
100mm	006ERG-05-10	006ERG-06-10	006ERG-10-10	006ERG-15-10	006ERG-25-10		
150mm	006ERG-05-15	006ERG-06-15	006ERG-10-15	006ERG-15-15	006ERG-25-15	006ERG-35-15	
250mm	006ERG-05-25	006ERG-06-25	006ERG-10-25	006ERG-15-25	006ERG-25-25	006ERG-35-25	006ERG-50-25
330mm	006ERG-05-33	006ERG-06-33	006ERG-10-33	006ERG-15-33	006ERG-25-33	006ERG-35-33	006ERG-50-33
400mm	006ERG-05-40	006ERG-06-40	006ERG-10-40	006ERG-15-40	006ERG-25-40	006ERG-35-40	006ERG-50-40
500mm			006ERG-10-50	006ERG-15-50	006ERG-25-50		006ERG-50-50

REPLACEMENT ENDPIECES FOR EZ COLUMNS

Adjustable	006EAE-05	006EAE-06	006EAE-10	006EAE-15	006EAE-25	006EAE-35	006EAE-50
Fixed	006EFE-05	006EFE-06	006EFE-10	006EFE-15	006EFE-25	006EFE-35	006EFE-50

REPLACEMENT ENDPIECES FOR EZ SOLVENTPLUS™ COLUMNS

Adjustable		006ESAE-06	006ESAE-10	006ESAE-15	006ESAE-25	006ESAE-35	006ESAE-50
Fixed		006ESFE-06	006ESFE-10	006ESFE-15	006ESFE-25	006ESFE-35	006ESFE-50

REPLACEMENT FRITS, PE FOR EZ COLUMNS

25µm	006FR-05-25-PE	006FR-06-25-PE	006FR-10-25-PE	006FR-15-25-PE	006FR-25-25-PE	006FR-35-25-PE	006FR-50-25-PE
------	----------------	----------------	----------------	----------------	----------------	----------------	----------------

REPLACEMENT FRITS, PTFE FOR EZ SOLVENTPLUS™ COLUMNS

5µm	006FR-05-05	006FR-06-05	006FR-10-05	006FR-15-05	006FR-25-05	006FR-35-05	006FR-50-05
10µm	006FR-05-10	006FR-06-10	006FR-10-10	006FR-15-10	006FR-25-10	006FR-35-10	006FR-50-10
20µm	006FR-05-20	006FR-06-20	006FR-10-20	006FR-15-20	006FR-25-20	006FR-35-20	006FR-50-20
30µm	006FR-05-30	006FR-06-30	006FR-10-30	006FR-15-30	006FR-25-30	006FR-35-30	006FR-50-30
50µm	006FR-05-50	006FR-06-50	006FR-10-50	006FR-15-50	006FR-25-50	006FR-35-50	006FR-50-50

REPLACEMENT O-RINGS FOR EZ COLUMNS

FKM/FPM	006OR-05-V	006OR-06-V	006OR-10-V	006OR-15-V	006OR-25-V	006OR-35-V	006OR-50-V
---------	------------	------------	------------	------------	------------	------------	------------

REPLACEMENT O-RINGS FOR EZ SOVENTPLUS™ COLUMNS

Chemraz®		006OR-06-C	006OR-10-C	006OR-15-C	006OR-25-C	006OR-35-C	006OR-50-C
----------	--	------------	------------	------------	------------	------------	------------

Omnifit® EZ Columns Bed Heights & Volumes

ID (MM)	LENGTH (MM)	*FF EZ COLUMNS		**AF EZ COLUMNS				***AA EZ COLUMNS			
		BED HEIGHT (CM)	VOLUME (ML)	BED HEIGHT (CM)		VOLUME (ML)		BED HEIGHT (CM)		VOLUME (ML)	
		MIN/MAX	MIN/MAX	MIN	MAX	MIN	MAX	MIN	MAX	MIN	MAX
5	50	2.0	0.4	0.0	2.0	0.0	0.4	0	2.0	0	0.4
5	100	7.0	1.4	1.0	7.0	0.2	1.4	0	7.0	0	1.4
5	250	22.0	4.3	16.0	22.0	3.1	4.3	10.0	22.0	2.0	4.3
5	330	30.0	5.9	24.0	30.0	4.7	5.9	18.0	30.0	3.5	5.9
5	400	37.0	7.3	31.0	37.0	6.1	7.3	25.0	37.0	4.9	7.3
6.6	50	2.0	0.7	0.2	2.0	0.1	0.7	0.2	2.0	0.1	0.7
6.6	100	7.0	2.4	0.2	7.0	0.1	2.4	0.2	7.0	0.1	2.4
6.6	150	12.0	4.1	3.8	12.0	1.4	4.1	3.8	12.0	0.1	4.1
6.6	250	22.0	7.5	13.8	22.0	4.8	7.5	13.8	22.0	2.1	7.5
6.6	330	30.0	10.3	21.8	30.0	7.5	10.3	21.8	30.0	4.8	10.3
6.6	400	37.0	12.7	28.8	37.0	9.9	12.7	28.8	37.0	7.2	12.7
10	100	7.0	5.5	0.2	7.0	0.2	5.5	0.2	7.0	0.2	5.5
10	150	12.0	9.4	3.8	12.0	3.1	9.4	3.8	12.0	0.2	9.4
10	250	22.0	17.3	13.8	22.0	11.0	17.3	13.8	22.0	4.7	17.3
10	330	30.0	23.6	21.8	30.0	17.3	23.6	21.8	30.0	11.0	23.6
10	400	37.0	29.1	28.8	37.0	22.8	29.1	28.8	37.0	16.5	29.1
10	500	47.0	36.9	38.8	47.0	30.6	36.9	38.8	47.0	24.3	36.9
15	100	7.0	12.4	0.2	7.0	0.4	12.4	0.2	7.0	0.4	12.4
15	150	12.0	21.2	3.8	12.0	7.1	21.2	3.8	12.0	0.4	21.2
15	250	22.0	38.9	13.8	22.0	24.7	38.9	13.8	22.0	10.6	38.9
15	330	30.0	53.0	21.8	30.0	38.9	53.0	21.8	30.0	24.7	53.0
15	400	37.0	65.4	28.8	37.0	51.2	65.4	28.8	37.0	37.1	65.4
15	500	47.0	83.1	38.8	47.0	68.9	83.1	38.8	47.0	54.8	83.1
25	100	7.0	34.4	0.2	7.0	1.2	34.4	0.2	7.0	1.2	34.4
25	150	12.0	58.9	3.8	12.0	19.6	58.9	3.8	12.0	1.2	58.9
25	250	22.0	108.0	13.8	22.0	68.7	108.0	13.8	22.0	29.5	108.0
25	330	30.0	147.3	21.8	30.0	108.0	147.3	21.8	30.0	68.7	147.3
25	400	37.0	181.6	28.8	37.0	142.4	181.6	28.8	37.0	103.1	181.6
25	500	47.0	230.7	38.8	47.0	191.4	230.7	38.8	47.0	152.2	230.7
35	150	12.0	115.5	3.8	12.0	38.5	115.5	3.8	12.0	2.3	115.5
35	250	22.0	211.7	13.8	22.0	134.7	211.7	13.8	22.0	57.7	211.7
35	330	30.0	288.6	21.8	30.0	211.7	288.6	21.8	30.0	134.7	288.6
35	400	37.0	356.0	28.8	37.0	279.0	356.0	28.8	37.0	202.0	356.0
50.5	250	22.0	440.7	13.8	22.0	280.4	440.7	13.8	22.0	120.2	440.7
50.5	330	30.0	600.9	21.8	30.0	440.7	600.9	21.8	30.0	280.4	600.9
50.5	400	37.0	741.1	28.8	37.0	580.9	741.1	28.8	37.0	420.6	741.1
50.5	500	47.0	941.4	38.8	47.0	781.2	941.4	38.8	47.0	620.9	941.4

*FF EZ Columns have 2 fixed endpieces

**AF EZ Columns have 1 fixed and 1 adjustable endpiece

***AA EZ Columns have 2 adjustable endpieces



Check out these other Omnifit® Labware Products!

See more at www.kinesis-group.com

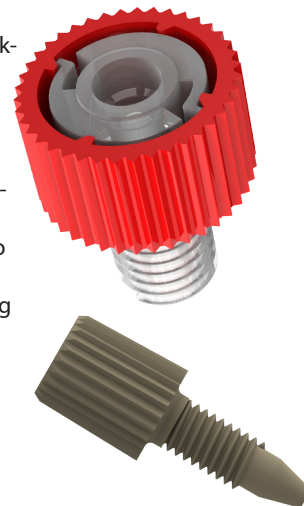
Solvent Safety Bottle Caps

- Standard or custom caps keep solvents safely enclosed
- Anti-twist design allows PTFE body to spin freely while tightening
- Threaded or push-through ports
- With or without manual valves or check valves
- GL32, GL38, GL45, GL53 and GL83 standard sizes



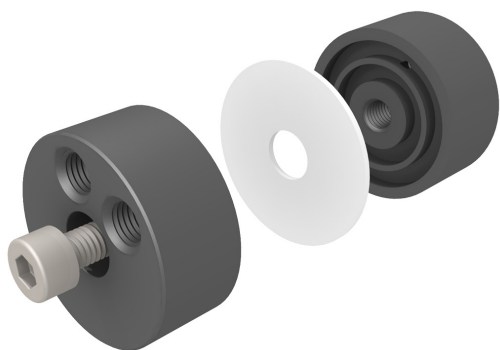
Fittings

- Click-N-Seal® torque release fittings (shown here) ensure leak-free connections every time
- Wide range of standard fittings in polypro, PEEK™, and other fluoropolymers
- Diba flares are preferred for low-pressure connections
- Wide range of ferrules for low to medium pressure connections
- 10-32 PEEK™ Click-N-Seal® fitting with conical tip (shown here) is ideal for chromatography applications! **A sample fitting is included with every new column ordered!**



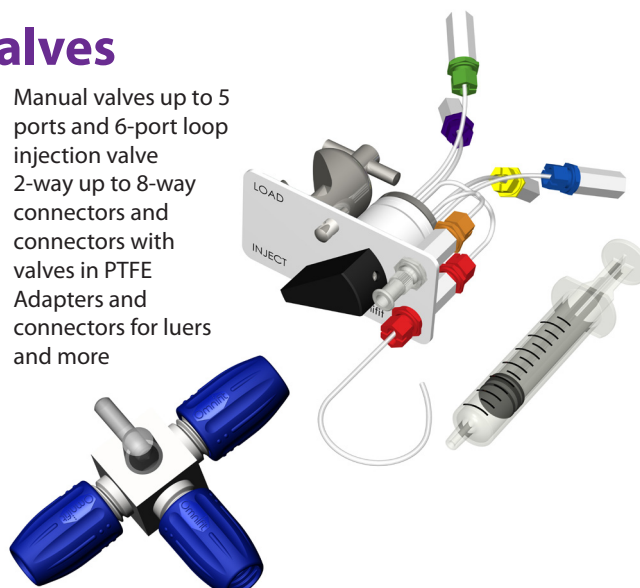
Bubble Traps & Filters

- PEEK™ trap (shown) removes bubbles from aqueous solutions in-line with or without vacuum
- Filters and bubblers for bottle intake lines
- Inline PTFE membrane filter assemblies



Valves

- Manual valves up to 5 ports and 6-port loop injection valve
- 2-way up to 8-way connectors and connectors with valves in PTFE
- Adapters and connectors for luers and more



Distributed by

 **Kinesis**
Scientific Experts

sales@kinesis-group.com kinesis-group.com

Manufactured by

 **Diba**
Fluid Intelligence

sales@dibaind.com dibaind.com

A HALMA COMPANY